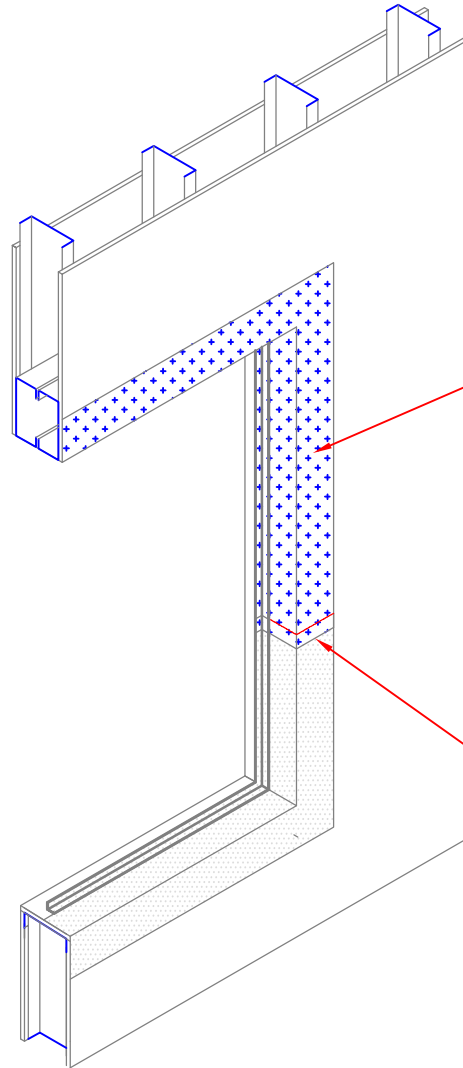


DOWSIL™ 778 SILICONE LIQUID  
ISOMETRIC WINDOW FLASHING  
SEQUENCING 'B'

ANY COMMENTS, MARK-UP TO DESIGN DETAILS, OR ILLUSTRATIONS ARE PROVIDED TO SUGGEST HOW DOW SILICONES' BUILD A BETTER BARRIER PRODUCTS MAY BE INCORPORATED INTO A PROJECT. DOW SILICONES DOES NOT OFFER DESIGN SERVICES. ALL INFORMATION AND ILLUSTRATIONS ARE PROVIDED ON AN "AS-IS" BASIS WITHOUT ANY WARRANTY WHATSOEVER, INCLUDING ANY IMPLIED WARRANTIES OF MERCHANTABILITY OR FITNESS FOR A PARTICULAR PURPOSE.



FLASH HEAD AND REMAINDER OF  
JAMBS WITH DEFENDAIR™ 200C  
AIR AND WEATHER BARRIER  
COATING OR DOWSIL™ 778  
SILICONE LIQUID FLASHING.  
APPLY PER MANUFACTURER'S  
INSTRUCTIONS. EXTEND 4" ON  
TO FACE OF SHEATHING

OVERLAP DOWSIL™ 778  
SILICONE LIQUID FLASHING WITH  
DOW CORNING DEFENDAIR™ 200C  
AIR AND WEATHER BARRIER  
COATING MINIMUM 1"

61-8078-01 B



**DOWSIL™ AIR AND WEATHER BARRIER SYSTEMS**

DRAWING NO.

121

DATE

11/1/2019