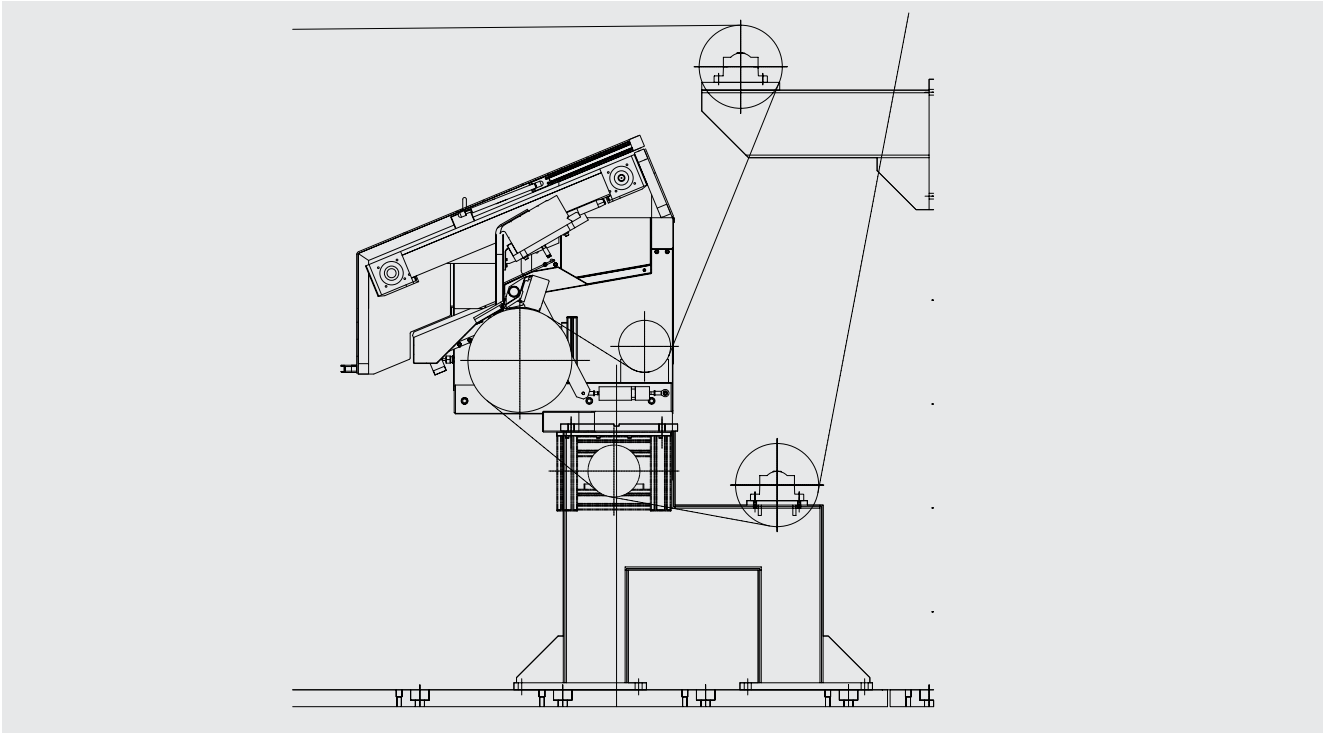


Coating Station 4: Multi-Layer Curtain Coater



Technology

- Internal compact design, with various sub-suppliers
- Multi-layer inclined slide die
- Simultaneous application of up to 5 layers
- Controlled by PLC
- Uncoated paper edges, no color recycle
- Absolute pre-metering
- Volumetric pumps to reach reliable coating layers down to 0.2 g/m^2
- Coat weight range per layer: $0.2\text{--}30 \text{ g/m}^2$, depending on color solids content and machine speed

Vacuum De-aeration Of Coating Colors

- 2 offline vacuum deaeration units: Fryma-Koruma
- 1 online air content measurement: SONARtrac GVF-100¹ supplied by BTG Instruments

¹ Trademark of BTG Instruments

®™ Trademark of The Dow Chemical Company ("Dow") or an affiliated company of Dow
Dow Emulsion Polymers

<http://www.dow.com/emulpoly/paper/contact/index.htm>

NOTICE: No freedom from infringement of any patent owned by Dow or others is to be inferred. Because use conditions and applicable laws may differ from one location to another and may change with time, the Customer is responsible for determining whether products and the information in this document are appropriate for the Customer's use and for ensuring that the Customer's workplace and disposal practices are in compliance with applicable laws and other governmental enactments. Dow assumes no obligation or liability for the information in this document.

NO WARRANTIES ARE GIVEN; ALL IMPLIED WARRANTIES OF MERCHANTABILITY OR FITNESS FOR A PARTICULAR PURPOSE ARE EXPRESSLY EXCLUDED.

This document is intended for use worldwide.

Published September, 2009.

© 2009 The Dow Chemical Company

